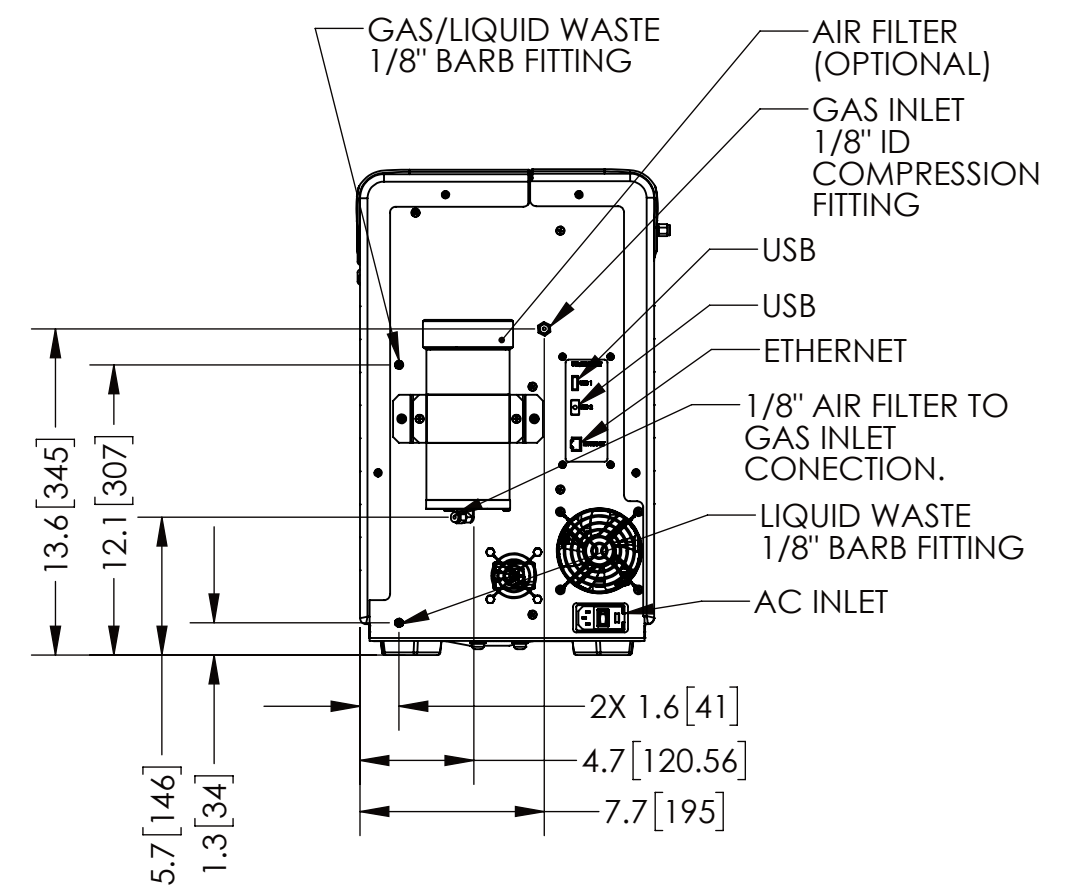
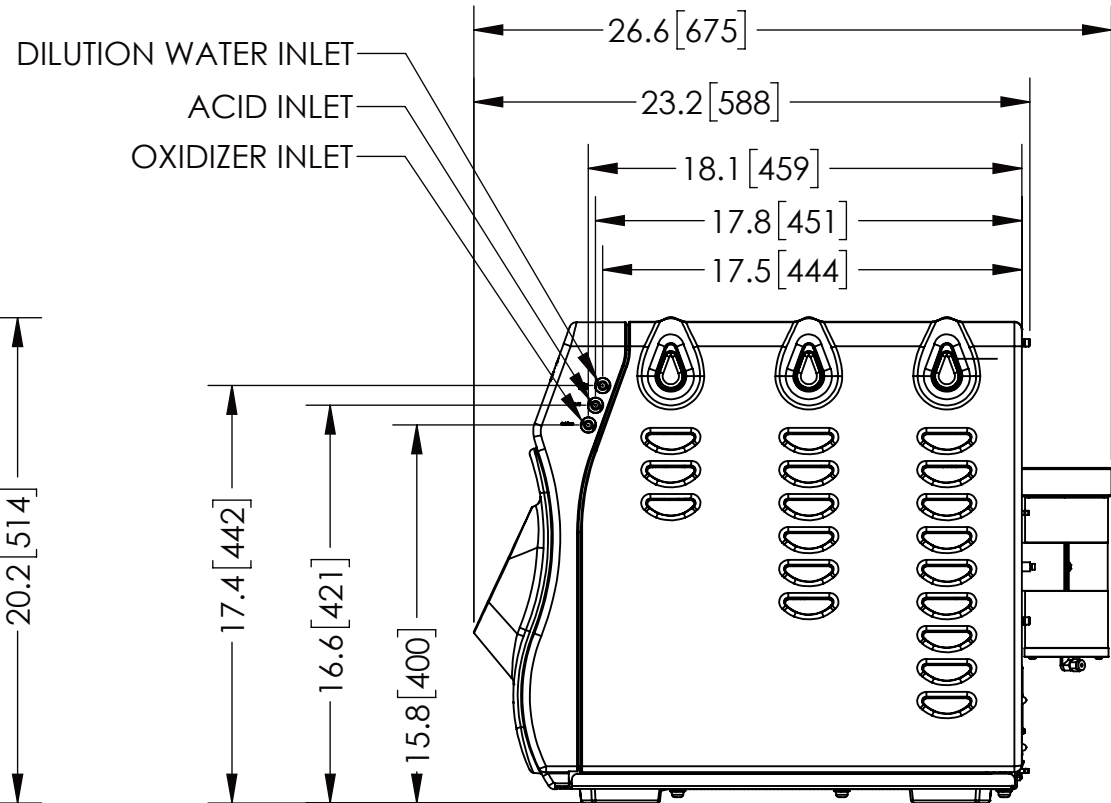
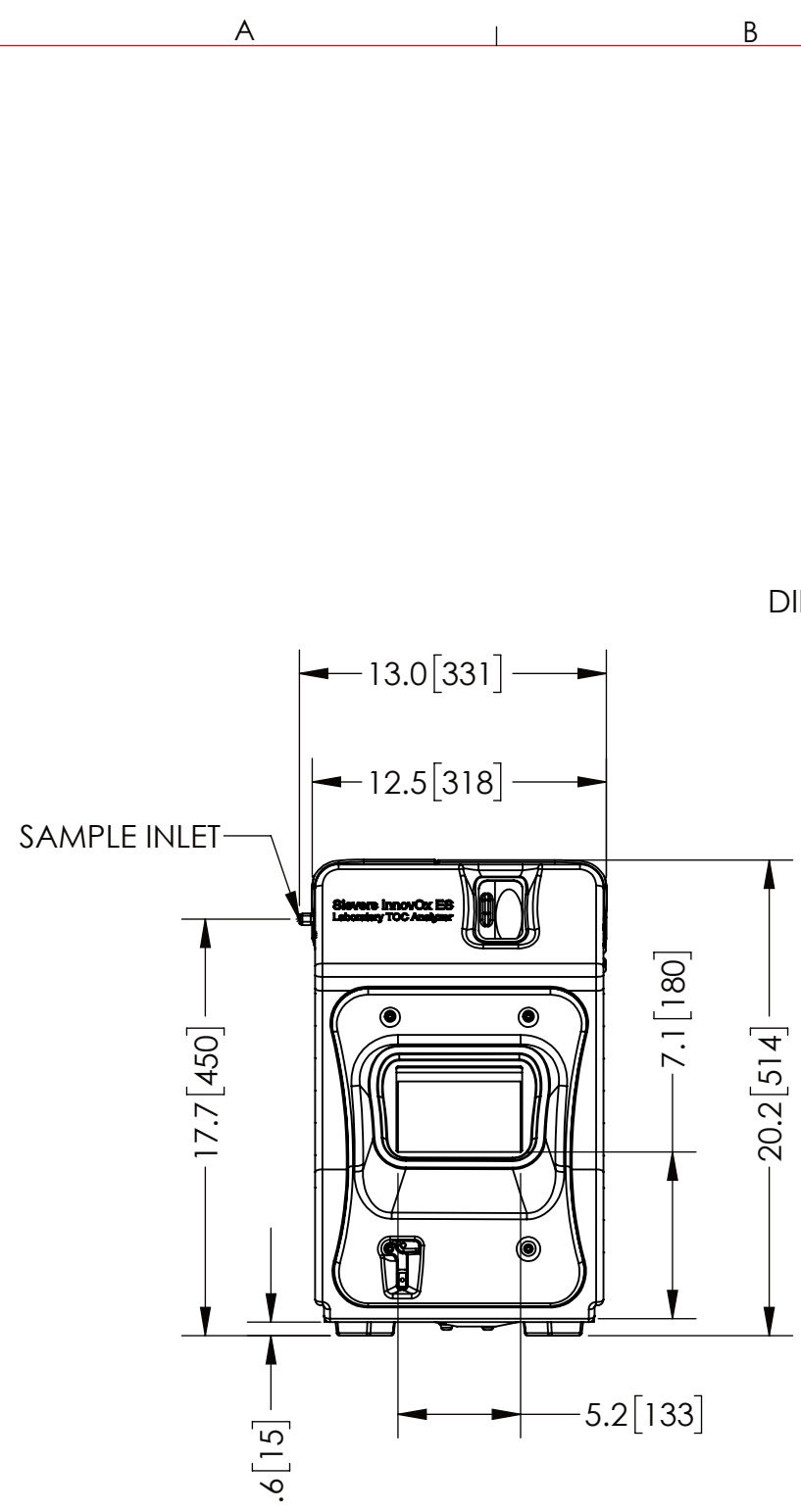
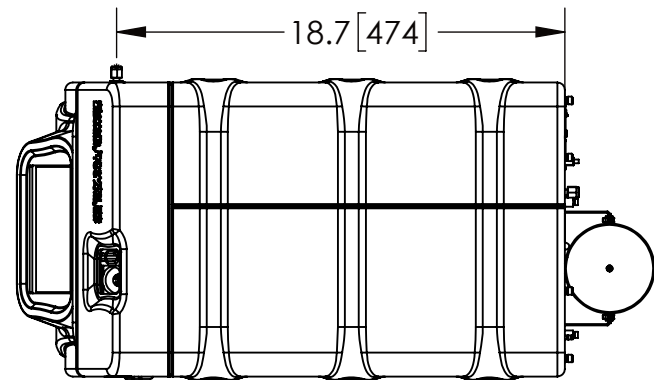


REVISIONS						
ECO	REV.	DESCRIPTION	REVD	DATE	CKD	DATE
3062	A	INITIAL RELEASE	HP	1/16/12	DBS	4/2/2012
5098	B	REBRANDING RELEASE	BJS	9/27/2018	DBS	9/28/18



- NOTES:
1. POWER REQUIREMENTS: 100-240 +/- 10% VAC, 400 WATTS, 50/60/ HZ.
 2. WEIGHT: 49.4 LB (22.41 KG).
 3. SAMPLE TEMPERATURE RANGE: 10-60 °C (50-140 °F).
 4. DO NOT BLOCK BACK OF INSTRUMENT AIR INTAKE.
 5. INSTRUMENT MUST BE 3" FROM WALL WHEN AIR PURIFIER IS NOT INSTALLED.

<p>CONFIDENTIAL: INFORMATION CONTAINED HEREIN IS THE PROPERTY OF SIEVERS®. IS CONFIDENTIAL, IS NOT TO BE REPRODUCED, AND IS TO BE RETURNED UPON DEMAND.</p>		<p>Sievers® Analytical Instruments</p>	
<p>UNLESS OTHERWISE SPECIFIED DIMENSIONS ARE IN INCHES TOLERANCES ARE: .X ± .1 .XX ± .02 .XXX ± .005 ANGLES ± 1° FINISH 63 RMS</p>		<p>6060 Spine Road Boulder, CO 80301 T(303) 444-2009 F(303) 444-9543</p>	
<p>GD&T PER ANSI/ASME Y14.5M-1994 DO NOT SCALE DRAWING</p>		<p>TITLE: INNOVOX LAB INSTALL DRAWING</p>	
SCALE: 1:12	DRAWN HELEN PRIETO	DATE 1/5/2012	PART NUMBER DIN 68001-01
SIZE: B	REV B	SHEET: 1 OF 1	