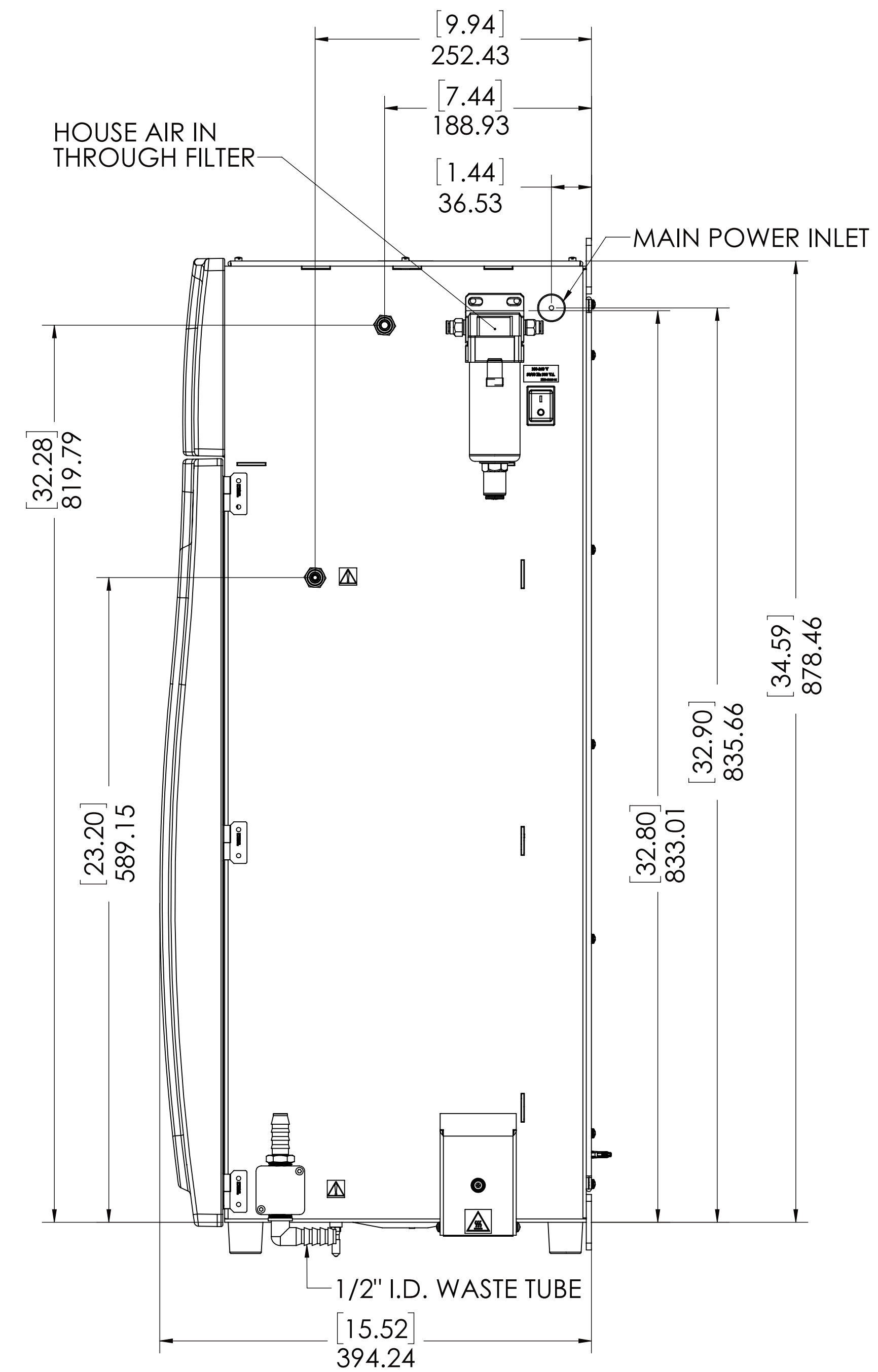
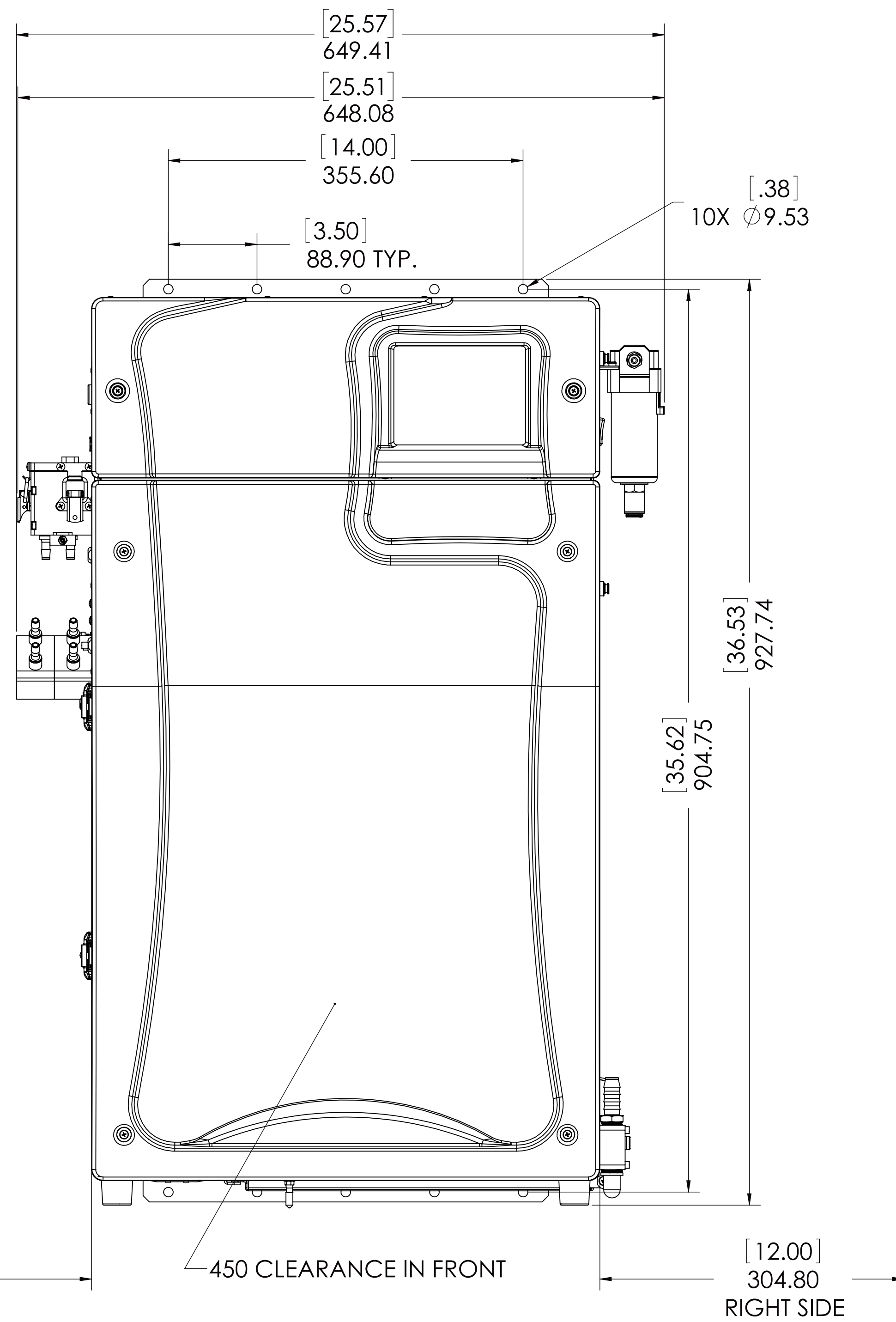
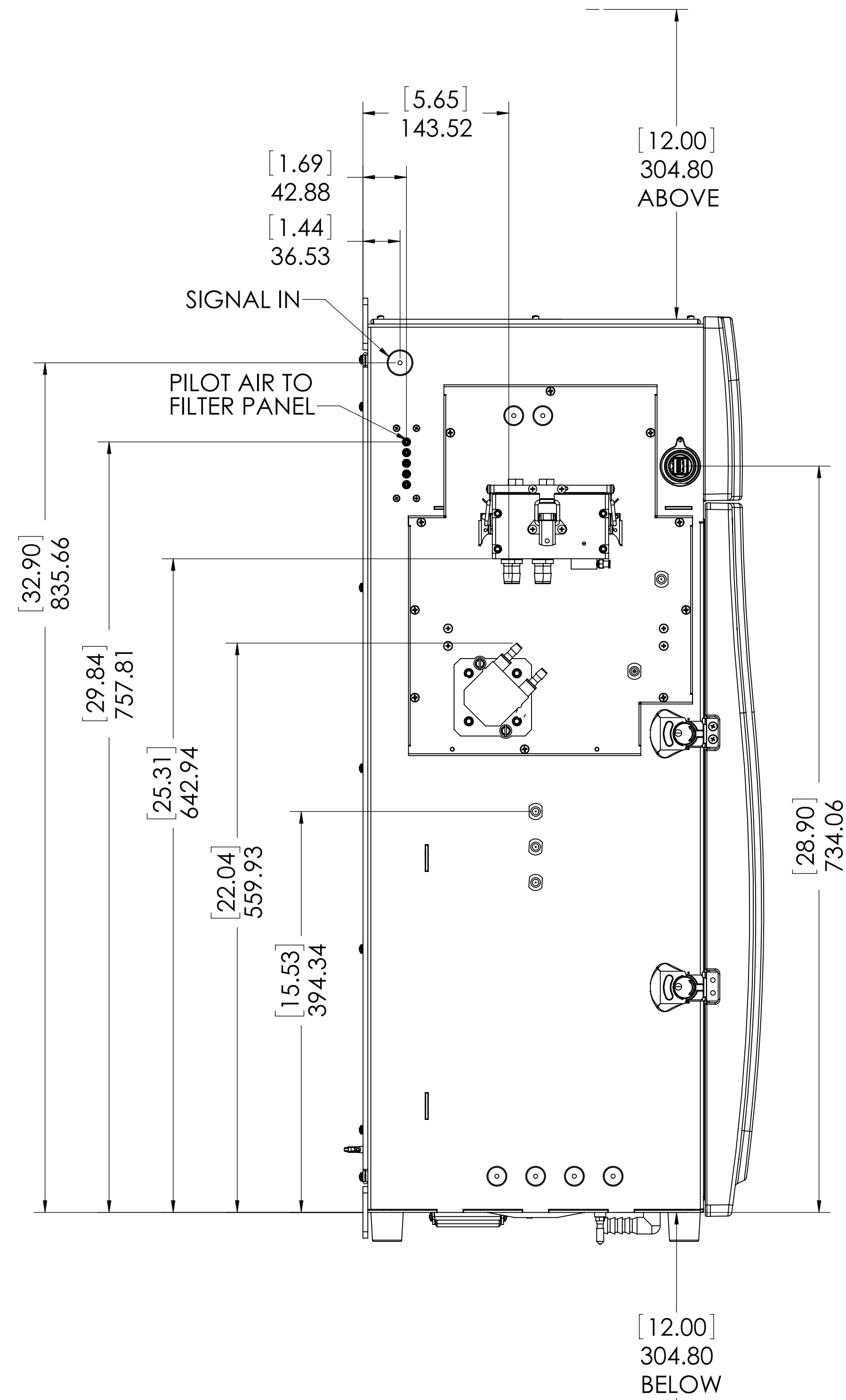


REVISIONS						
ECO	REV	DESCRIPTION	REVD	DATE	CKD	DATE
5098	A	PRODUCTION RELEASE	BJS	9/27/2018	DBS	9/28/2018



**CONFIDENTIAL:**  
 INFORMATION CONTAINED HEREIN IS THE PROPERTY OF SIEVERS. IT IS CONFIDENTIAL AND NOT TO BE REPRODUCED, AND IS TO BE RETURNED UPON DEMAND.

**Sievers® Analytical Instruments**  
 6060 Spine Road Boulder, CO 80301 T(303) 444-2009 F(303) 444-9543

**INNOVOX ONLINE INSTALL DRAWING**

SCALE: 1:3.5  
 DATE: 9/27/2018  
 DRAWN BY: B. SCHIFFNER  
 PART NUMBER: **DIN 68101-01**

SHEET: 1 OF 2  
 REV: A

RACK HANGER ATTACHED BY 3 5/16"-18 FLANGE NUTS THROUGH STRAP WELDED ONTO INSTRUMENT BODY 2 PLACES TOP & BOTTOM

AFTER BRACKETS ARE SECURED TO INSTRUMENT, AND INSTRUMENT IS ON THE RACK. INSTALL 4 10-32 X 2" MACHINE SCREWS TO SECURE THE INSTRUMENT TO THE RACK. SCREWS WILL BOTTOM OUT ON INSIDE OF UNISTRUT CHANNEL. FRICTION FIT.

