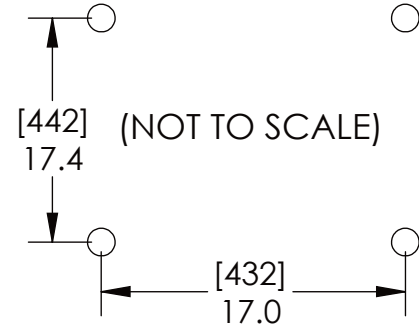
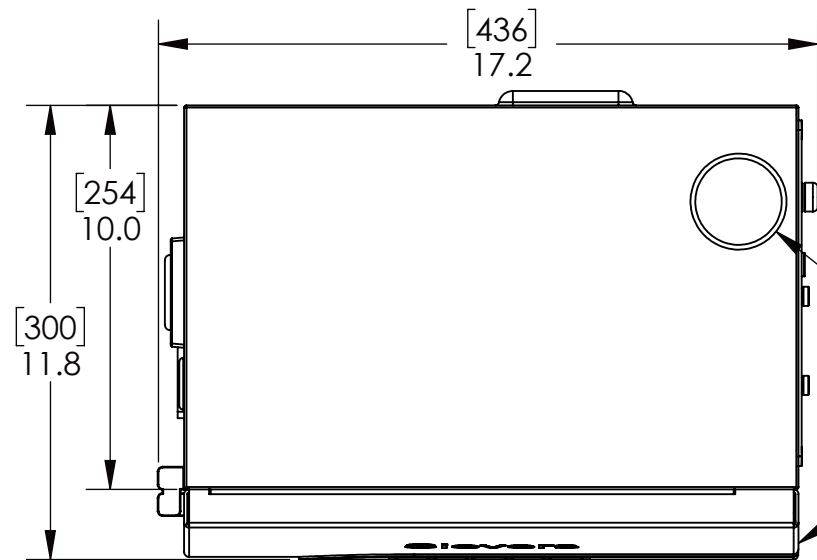


WALL MOUNT HOLE PATTERN
BRACKET HOLES ARE .34" DIAMETER (8.6 mm)



REVISIONS						
ECO	REV	DESCRIPTION	REVD	DATE	CKD	DATE
-	01	PROTOTYPE	BKC	9/24/14	-	-
5098	A	REBRANDING RELEASE	BJS	9/24/2018	DBS	9/24/18

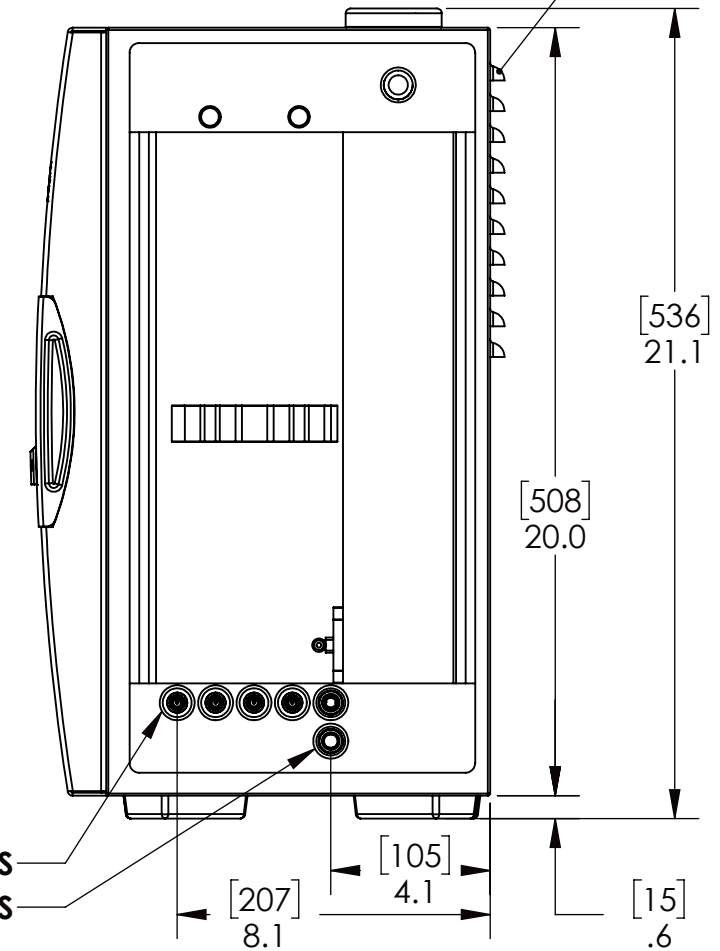
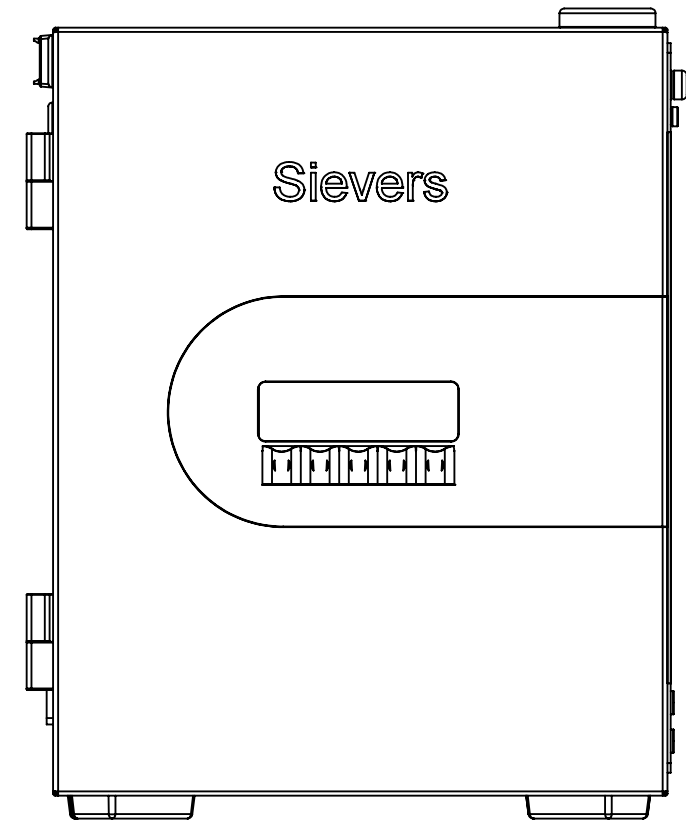
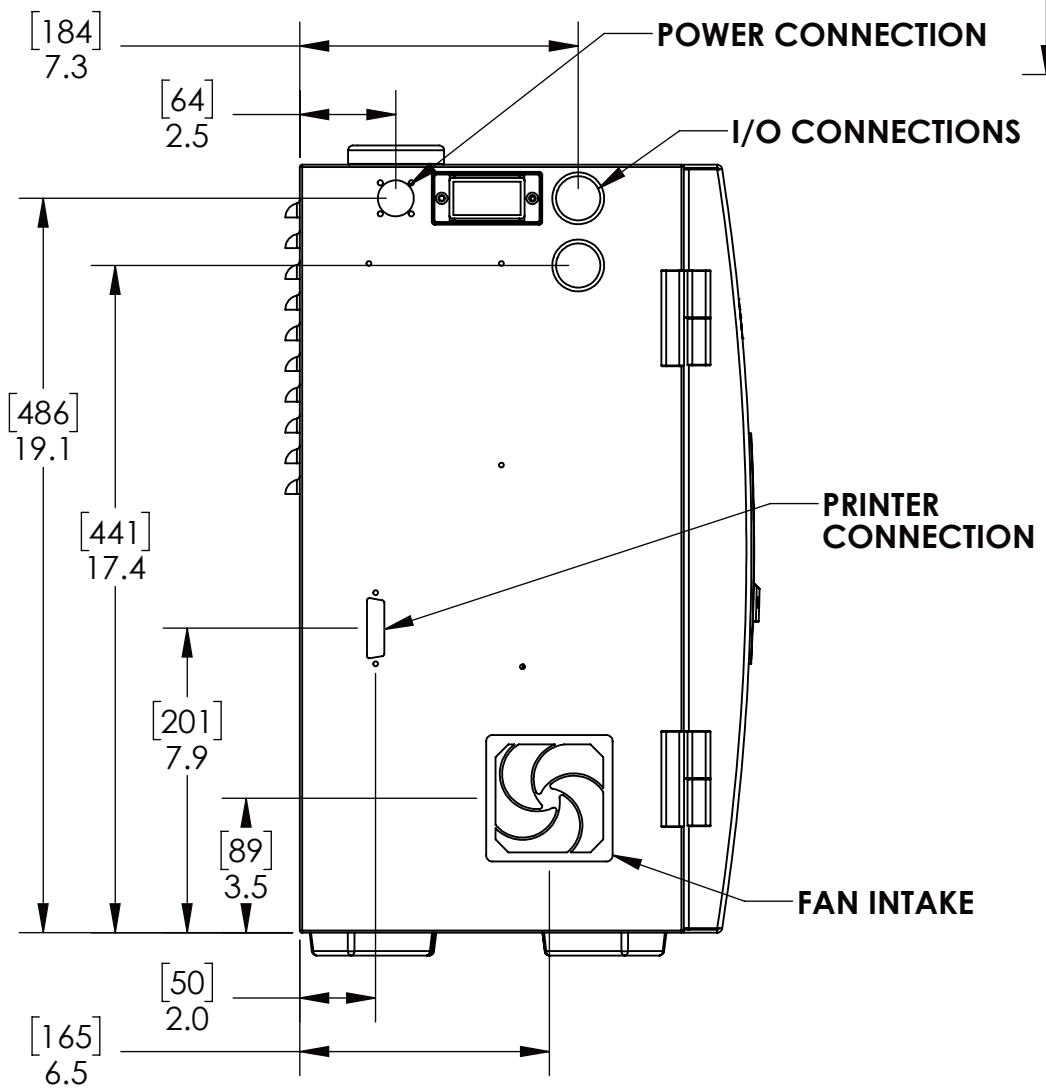


REAGENT FILL PORT

NOTE:
FILLED WEIGHT = 47 POUNDS (21.3 KG)

DOOR SWINGS OPEN 180°

COOLING LOUVRES



SAMPLE INLET CONNECTIONS
DRAIN CONNECTIONS

MINIMUM 1cm CLEARANCE BETWEEN BACK OF ANALYZER AND WALL FOR HEAT DISSIPATION.
30 cm CLEARANCE ON SIDES AND TOP FOR PLUMBING AND ELECTRICAL CONNECTIONS.
30 cm FROM BOTTOM TO DRAIN.
38 cm IN FRONT FOR ACCESS TO INSIDE OF ANALYZER.

INSTALL MOUNTING BOLTS CAPABLE OF SUPPORTING 67.6 KG (148.8 LBS).

DO NOT MOUNT IN DIRECT SUNLIGHT OR TEMPERATURES GREATER THAN 40°C OR BELOW 10°C.

<p>CONFIDENTIAL: INFORMATION CONTAINED HEREIN IS THE PROPERTY OF SIEVERS®. IS CONFIDENTIAL, IS NOT TO BE REPRODUCED, AND IS TO BE RETURNED UPON DEMAND.</p>		<p>Sievers® Analytical Instruments</p>	
<p>UNLESS OTHERWISE SPECIFIED DIMENSIONS ARE IN INCHES TOLERANCES ARE: .X ± .1 .XX ± .02 .XXX ± .005 ANGLES ± 1° FINISH 63 RMS</p>		<p>6060 Spine Road Boulder, CO 80301 T(303) 444-2009 F(303) 444-9543</p>	
<p>TITLE: BORON ONLINE INSTALLATION SPECS</p>			
SCALE:	1:5	DATE:	9/24/2014
SIZE:	B	DRAWN:	CLAY
<p>GD&T PER ANSI/ASME Y14.5M-1994 DO NOT SCALE DRAWING</p>		PART NUMBER:	DIN 71017-01
		REVISION:	A
		SHEET:	1 OF 1