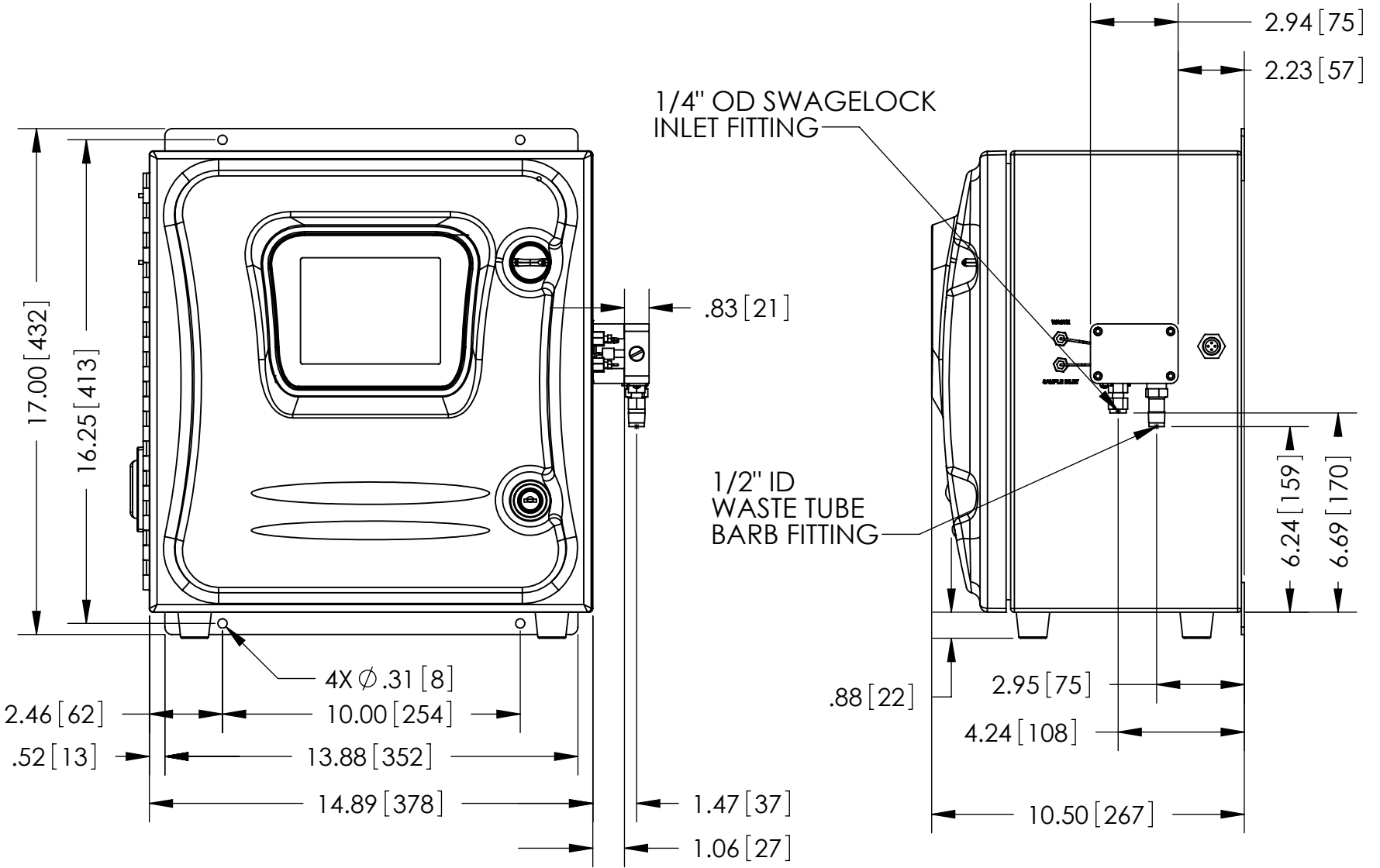
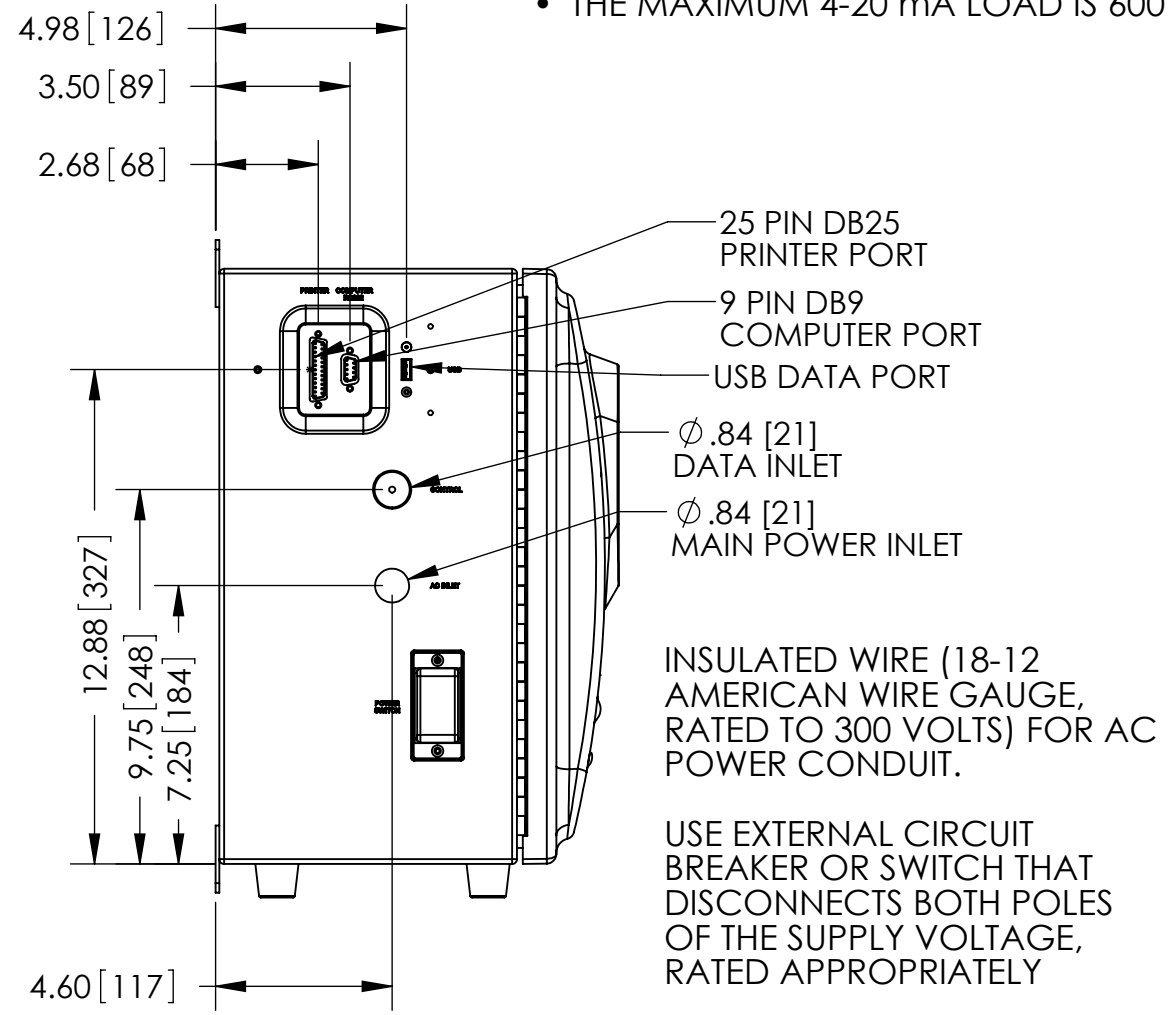


REVISIONS						
ECO	REV	DESCRIPTION	REVD	DATE	CKD	DATE
1973	A	INITIAL RELEASE	RDV	10/14/08	KA	10/14/08
2361	B	COPIED LEFT VIEW TO SHEET 2 AND 3	RDV	11/10/09	MRS	11/10/09
5098	C	REBRANDING RELEASE	BJS	9/24/2018	DBS	9/24/18

- INSULATED WIRE (22-12 AMERICAN WIRE GAUGE, RATED TO 300 VOLTS) FOR ANALOG AND ALARM OUTPUTS
- THE MAXIMUM LOAD FOR THE ALARM PORTS IS 30 VDC AT 1.0 A.
- THE MAXIMUM 4-20 mA LOAD IS 600 OHMS.

MODEL 500 BASE MODEL



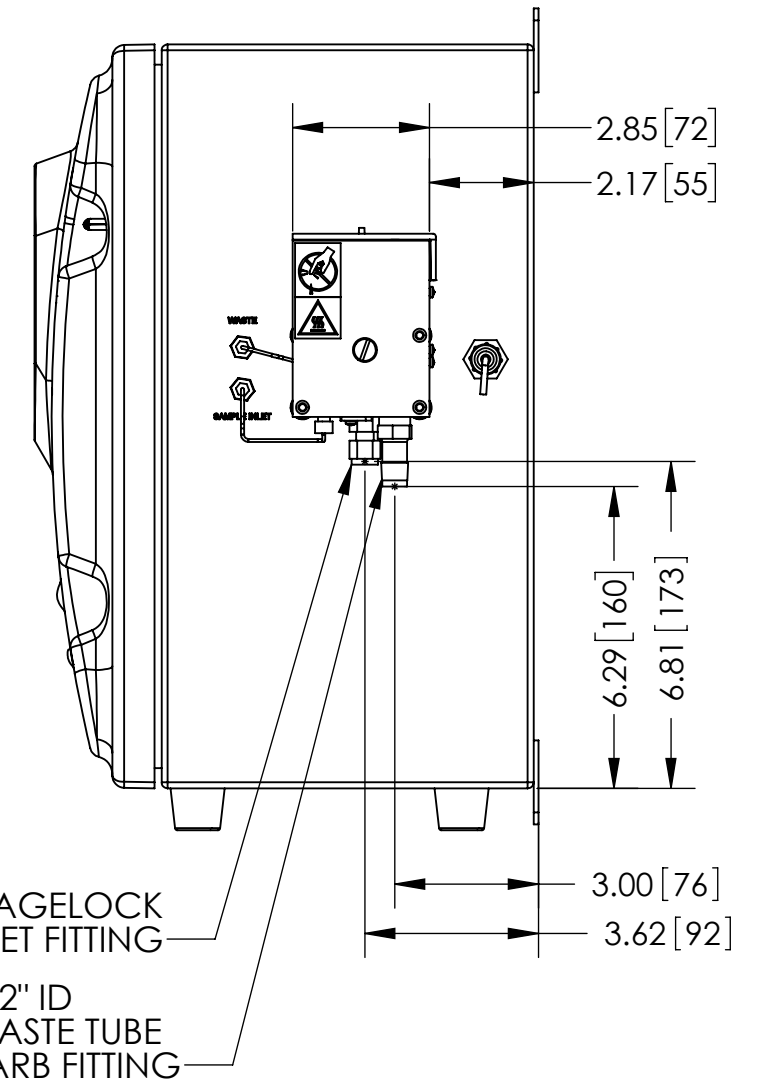
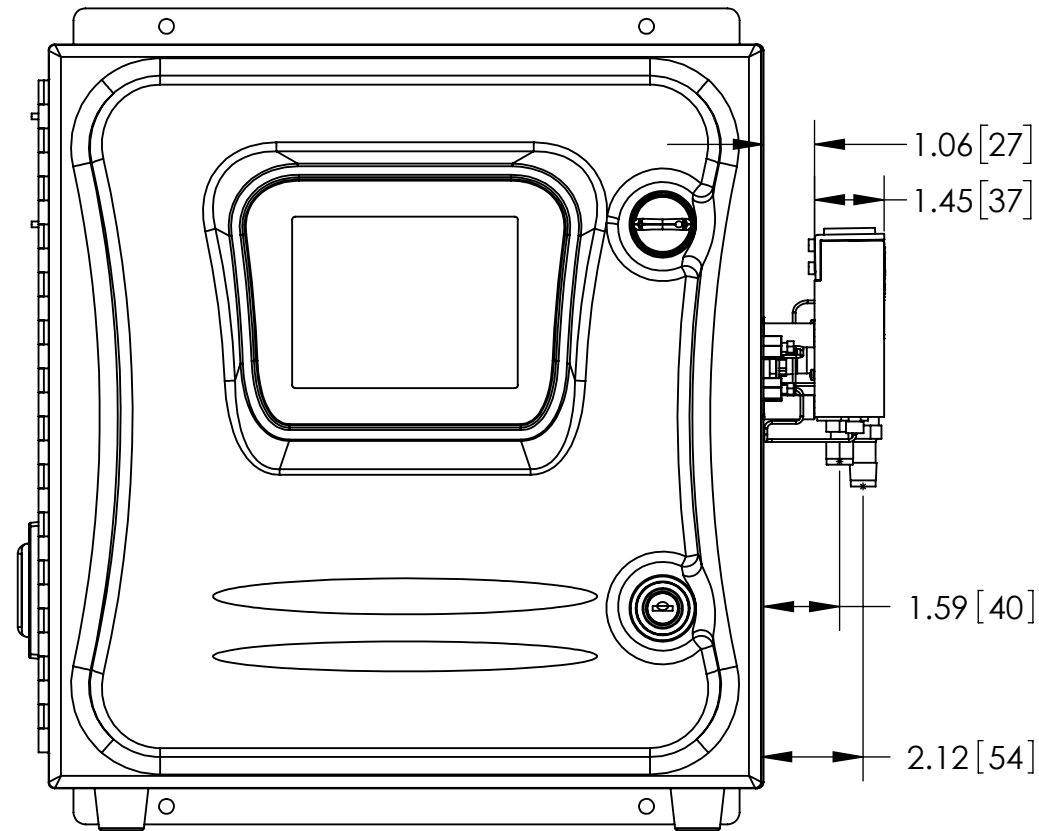
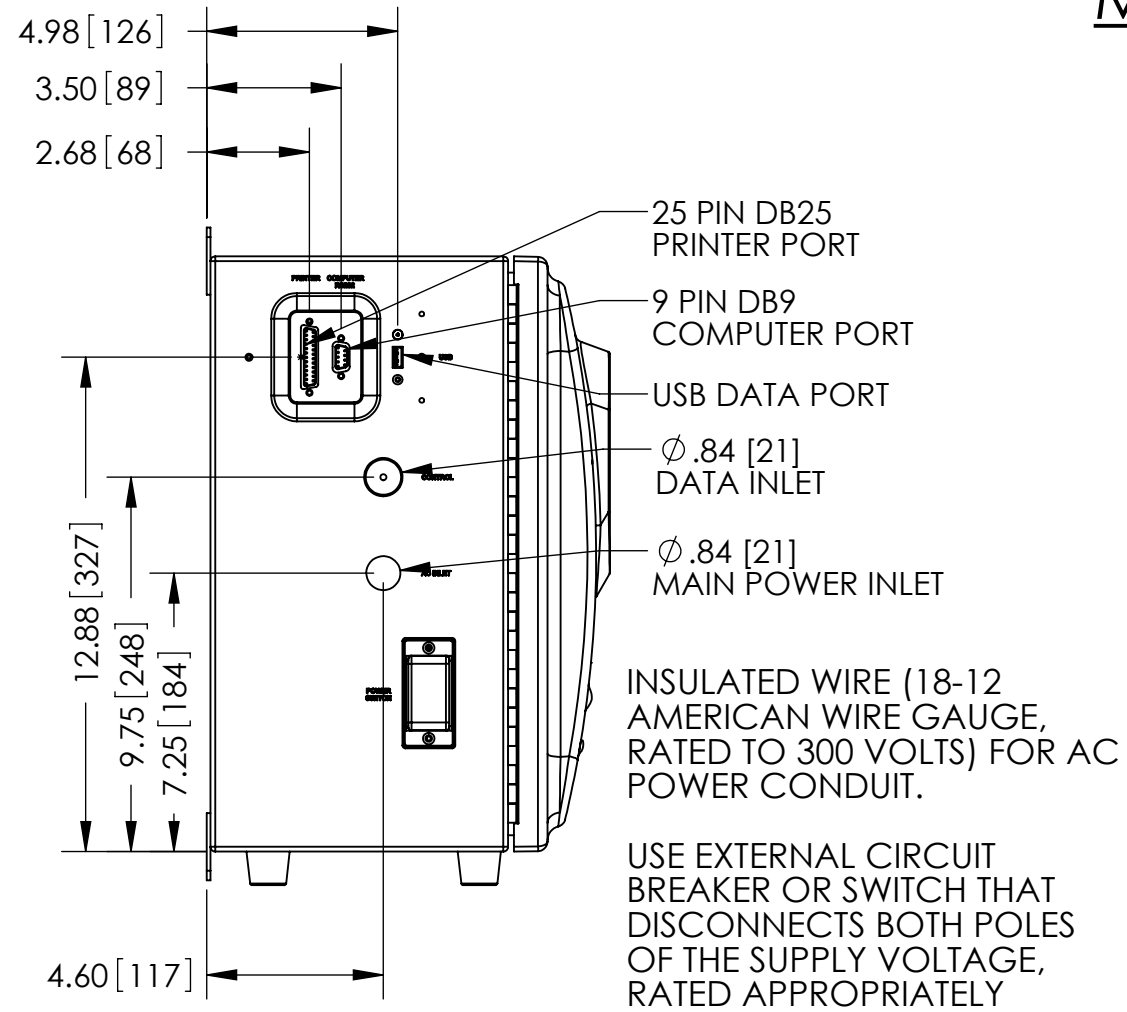
MOUNTING INSTRUCTIONS	
OVERALL MOUNTING SITE DIMENSIONS	
HEIGHT	18.0 [458]
WIDTH	19.0 [483]
DEPTH	10.8 [274]
MINIMUM OPERATING CLEARANCES	
BACK	2.0 [50]
FRONT	15.0 [380]
TOP	12.0 [305]
BOTTOM	12.0 [305]
SIDES 12.0 [305 EACH SIDE]	

INSTALL MOUNTING BOLTS CAPABLE OF SUPPORTING 67.60 KG (148.80 LBS).

DO NOT MOUNT IN DIRECT SUNLIGHT OR TEMPERATURES GREATER THAN 40°C OR BELOW 10°C.

<p>CONFIDENTIAL: INFORMATION CONTAINED HEREIN IS THE PROPERTY OF SIEVERS®. IS CONFIDENTIAL IS NOT TO BE REPRODUCED, AND IS TO BE RETURNED UPON DEMAND.</p>		<p>Sievers® Analytical Instruments</p>	
<p>UNLESS OTHERWISE SPECIFIED DIMENSIONS ARE IN INCHES TOLERANCES ARE: .X ± .1 .XX ± .02 .XXX ± .005 ANGLES ± 1° FINISH 63 RMS GD&T PER ANSI/ASME Y14.5M-1994 DO NOT SCALE DRAWING</p>		<p>6060 Spine Road Boulder, CO 80301 T(303) 444-2009 F(303) 444-9543</p>	
<p>TITLE: 500 ONLINE INSTALLATION SPECS</p>			
SCALE:	1:4	DATE:	10/14/08
SIZE:	B	DRAWN:	RDV
		PART NUMBER:	DIN 74005-01
		REV:	C
		SHEET:	1 OF 3

MODEL 500 WITH STANDARD IOS

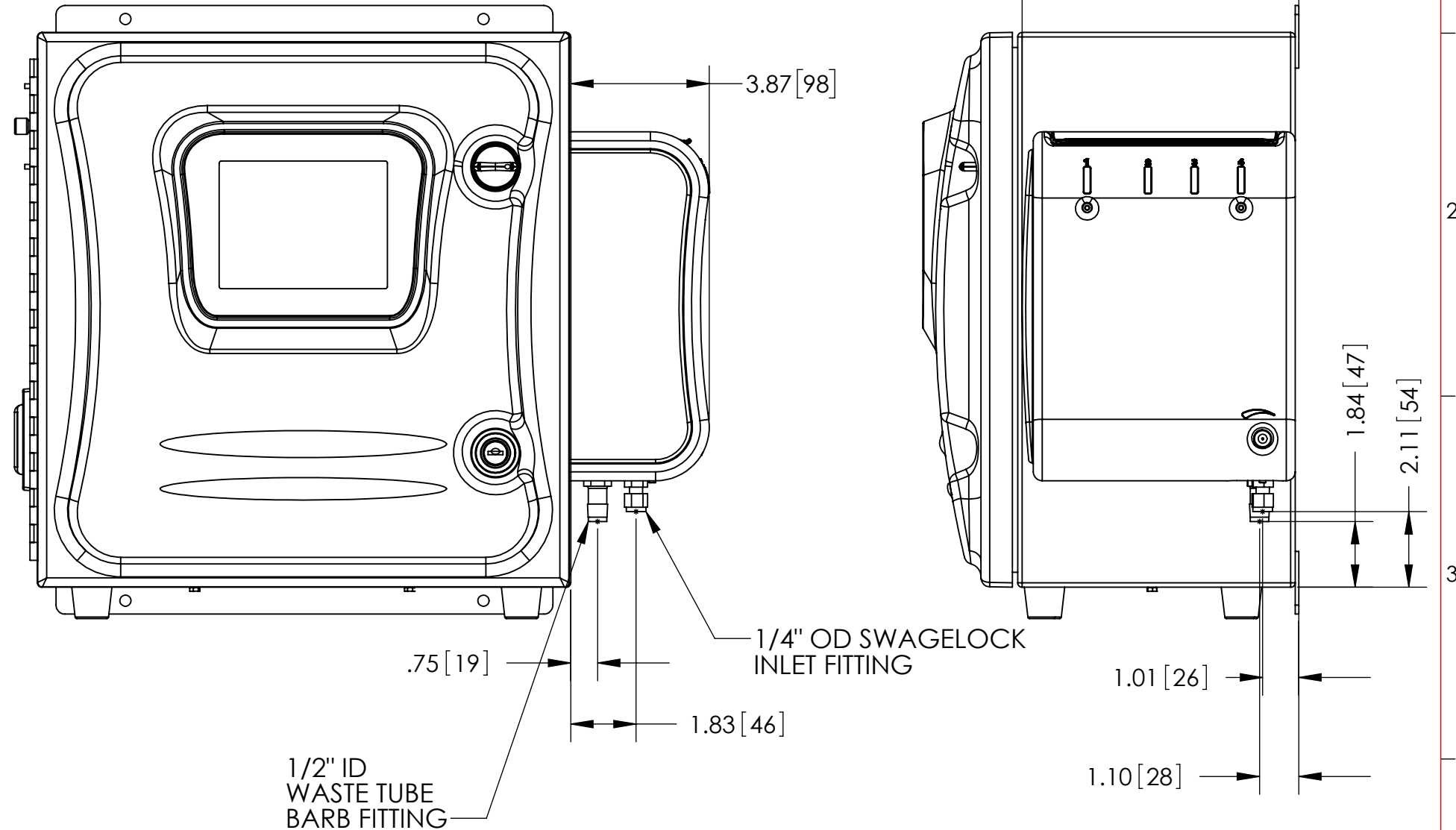
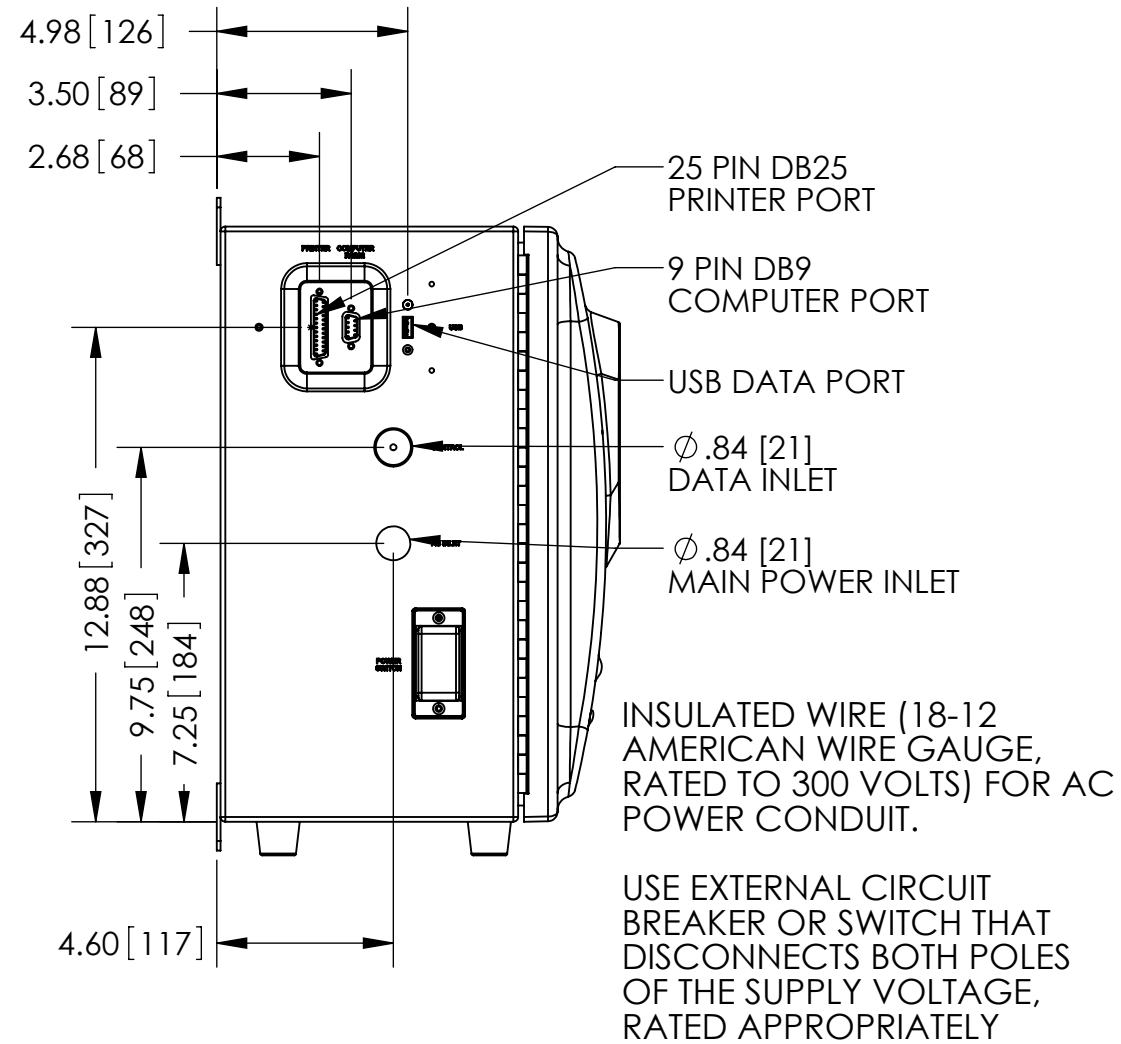


- INSULATED WIRE (22-12 AMERICAN WIRE GAUGE, RATED TO 300 VOLTS) FOR ANALOG AND ALARM OUTPUTS
- THE MAXIMUM LOAD FOR THE ALARM PORTS IS 30 VDC AT 1.0 A.
- THE MAXIMUM 4-20 mA LOAD IS 600 OHMS.

Sievers®
Analytical Instruments

SCALE: 1:8	SHEET: 2 OF 3	PART NUMBER: DIN 74005-01	REV: C
---------------	------------------	-------------------------------------	------------------

MODEL 500 WITH SUPER IOS



- INSULATED WIRE (22-12 AMERICAN WIRE GAUGE, RATED TO 300 VOLTS) FOR ANALOG AND ALARM OUTPUTS
- THE MAXIMUM LOAD FOR THE ALARM PORTS IS 30 VDC AT 1.0 A.
- THE MAXIMUM 4-20 mA LOAD IS 600 OHMS.

Sievers®
Analytical Instruments

SCALE:	SHEET:	PART NUMBER:	REV:
1:4	3 OF 3	DIN 74005-01	C