

**MOUNTING INSTRUCTIONS**

OVERALL MOUNTING SITE DIMENSIONS  
 HEIGHT 1159[45.6]; WIDTH 1060[41.7]; DEPTH 765[30.1]

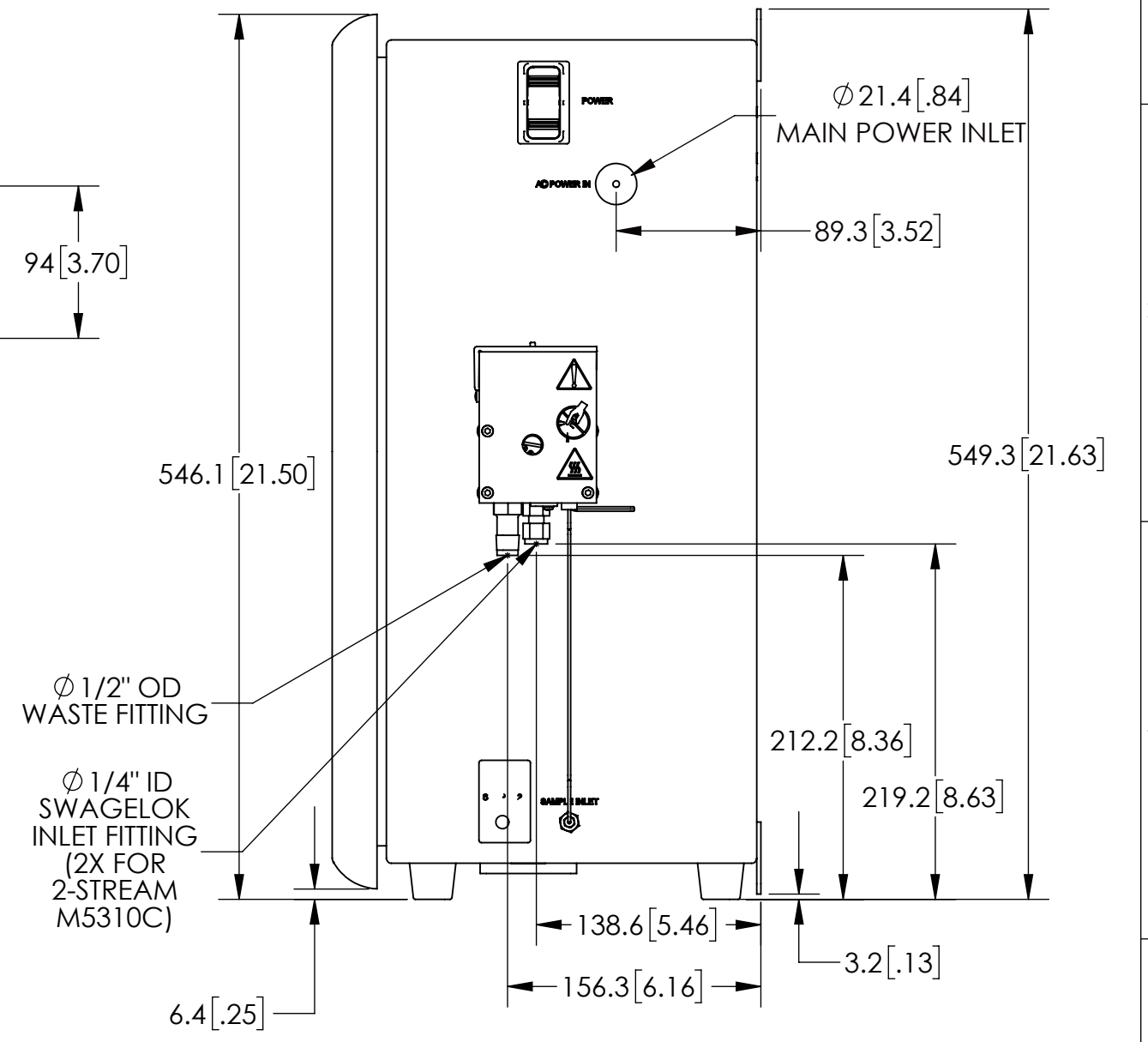
MINIMUM OPERATING CLEARANCES  
 BACK 50[1.97]; TOP 305[12.0]; FRONT 450[17.2]; BOTTOM 305[12.0]; SIDES 305[12.0] EACH SIDE

INSTALL MOUNTING BOLTS CAPABLE OF SUPPORTING 63.2 KG (139.6 LBS).  
 DO NOT MOUNT IN DIRECT SUNLIGHT OR TEMPERATURES GREATER THAN 40°C OR BELOW 10°C.  
 ALL DIMENSIONS IN MILLIMETERS[INCHES].

REVISIONS						
ECO	REV	DESCRIPTION	REVD	DATE	CKD	DATE
3888	A	Release	AGS	3/23/15	SF	3/23/15
5098	B	REBRANDING RELEASE	BJS	9/19/2018	DBS	9/28/18

INSULATED WIRE (18-12 AMERICAN WIRE GAUGE, RATED TO 300 VOLTS) FOR AC POWER CONDUIT.

USE EXTERNAL CIRCUIT BREAKER OR SWITCH THAT DISCONNECTS BOTH POLES OF THE SUPPLY VOLTAGE, RATED APPROPRIATELY (OPTIONAL)



CONFIDENTIAL: <small>INFORMATION CONTAINED HEREIN IS THE PROPERTY OF SIEVERS®. IS CONFIDENTIAL IS NOT TO BE REPRODUCED, AND IS TO BE RETURNED UPON DEMAND.</small>		<b>Sievers®</b> <b>Analytical Instruments</b>	
<small>UNLESS OTHERWISE SPECIFIED DIMENSIONS ARE IN INCHES TOLERANCES ARE:          .X ± .1          .XX ± .02          .XXX ± .005          ANGLES ± 1°          FINISH 63 RMS          GD&amp;T PER ANSI/ASME Y14.5M-1994          DO NOT SCALE DRAWING</small>		6060 Spine Road Boulder, CO 80301 T(303) 444-2009 F(303) 444-9543 TITLE: <b>M-SERIES ON-LINE INSTALLATION SPECS</b>	
SCALE: 1:4	DATE: 9/23/2014	PART NUMBER: <b>DIN 77017-01</b>	SHEET: 1 OF 1 REV <b>B</b>
SIZE: <b>B</b>	DRAWN: B. CLAY		