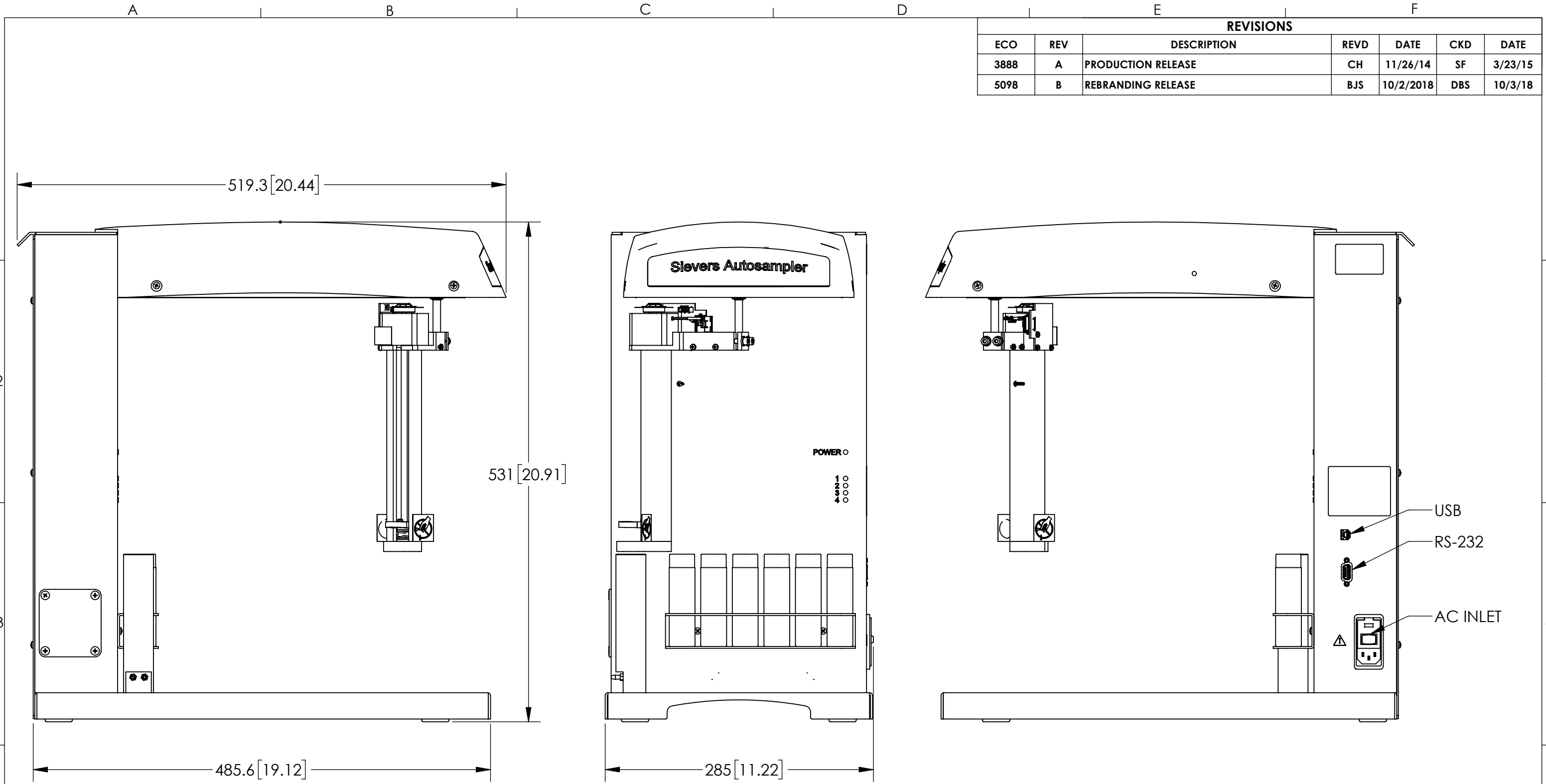


REVISIONS						
ECO	REV	DESCRIPTION	REVD	DATE	CKD	DATE
3888	A	PRODUCTION RELEASE	CH	11/26/14	SF	3/23/15
5098	B	REBRANDING RELEASE	BJS	10/2/2018	DBS	10/3/18



NOTES:  
 1. ALL DIMENSIONS IN MILLIMETERS [INCHES]

<p><b>CONFIDENTIAL:</b>          INFORMATION CONTAINED HEREIN IS THE PROPERTY OF SIEVERS®, IS CONFIDENTIAL, IS NOT TO BE REPRODUCED, AND IS TO BE RETURNED UPON DEMAND.</p>		<p><b>Sievers®</b>  <b>Analytical Instruments</b></p>	
<p>UNLESS OTHERWISE SPECIFIED DIMENSIONS ARE IN INCHES TOLERANCES ARE:          .X ± .1          .XX ± .02          .XXX ± .005          ANGLES ± 1°          FINISH 63 RMS</p>		<p>6060 Spine Road Boulder, CO 80301 T(303) 444-2009 F(303) 444-9543</p>	
<p>GD&amp;T PER ANSI/ASME Y14.5M-1994          DO NOT SCALE DRAWING</p>		<p>TITLE:  <b>INSTALL DRAWING, M-SERIES AUTOSAMPLER</b></p>	
SCALE: 1:4	DATE 11/25/2014	PART NUMBER <b>DIN 77700-01</b>	SHEET: 1 OF 1
SIZE: B	DRAWN CH	REV B	