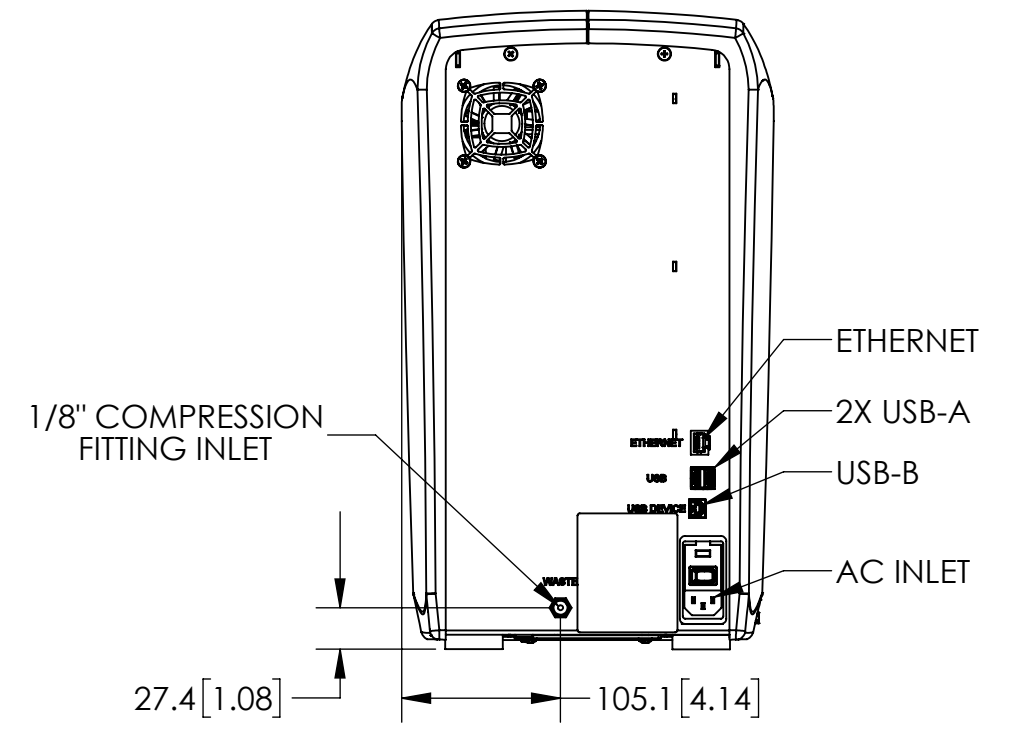
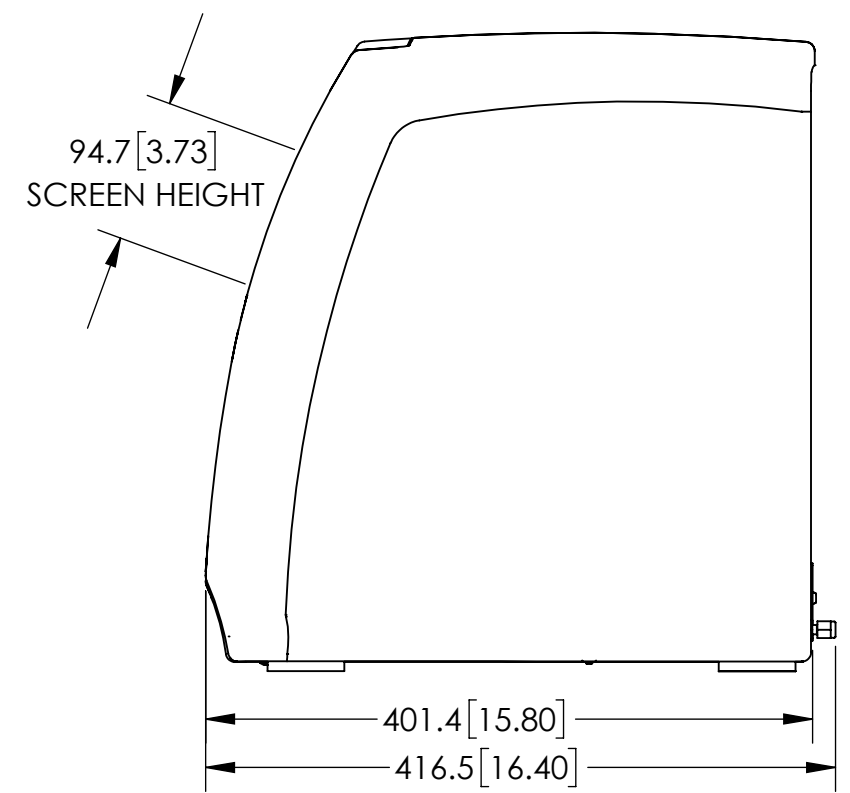
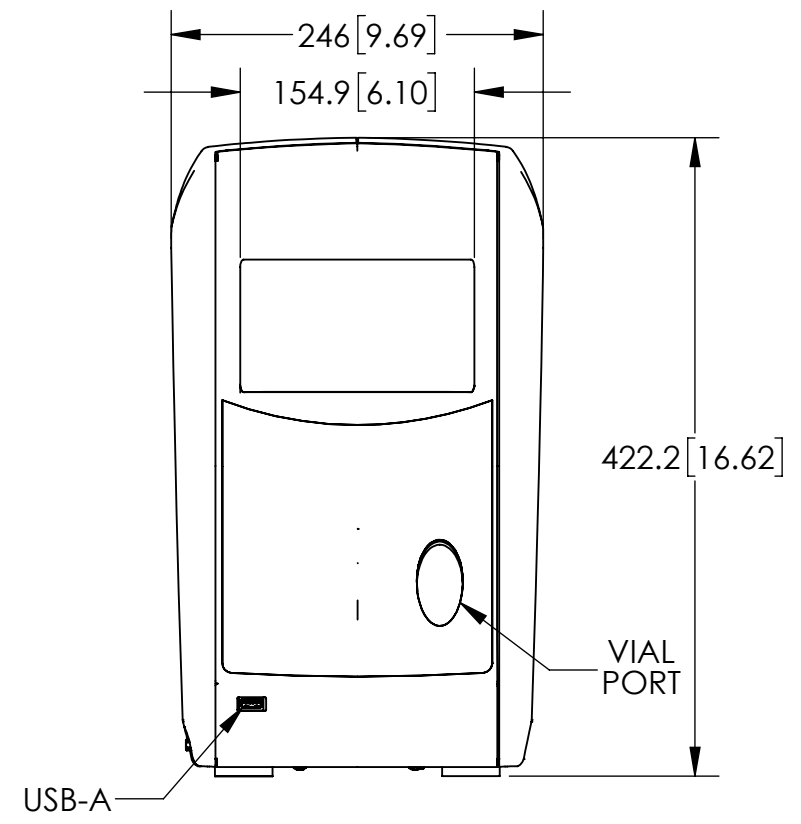


REVISIONS						
ECO	REV	DESCRIPTION	REVD	DATE	CKD	DATE
3888	A	CHANGE SHADING, RELEASE FOR PRODUCTION	AGS	03/10/15	SF	3/23/15
5098	B	REBRANDING RELEASE	BJS	9/19/2018	DBS	9/28/18



NOTES:  
 1. ALL DIMENSIONS IN MILLIMETERS[INCHES]

<p>CONFIDENTIAL:          INFORMATION CONTAINED HEREIN IS THE PROPERTY OF SIEVERS®. IS CONFIDENTIAL, IS NOT TO BE REPRODUCED, AND IS TO BE RETURNED UPON DEMAND.</p>		<p><b>Sievers®</b>  <b>Analytical Instruments</b></p>	
<p>UNLESS OTHERWISE SPECIFIED DIMENSIONS ARE IN INCHES TOLERANCES ARE:          .X ± .1          .XX ± .02          .XXX ± .005          ANGLES ± 1°          FINISH 63 RMS</p>		<p>6060 Spine Road Boulder, CO 80301 T(303) 444-2009 F(303) 444-9543</p>	
<p>TITLE:  <b>M-SERIES LABORATORY INSTALLATION SPECS</b></p>			
SCALE: 1:5	DRAWN CH		SHEET: 1 OF 1
SIZE: B	DATE 11/26/2014	PART NUMBER DIN 77710-01	REV B
<p>GD&amp;T PER ANSI/ASME Y14.5M-1994          DO NOT SCALE DRAWING</p>			