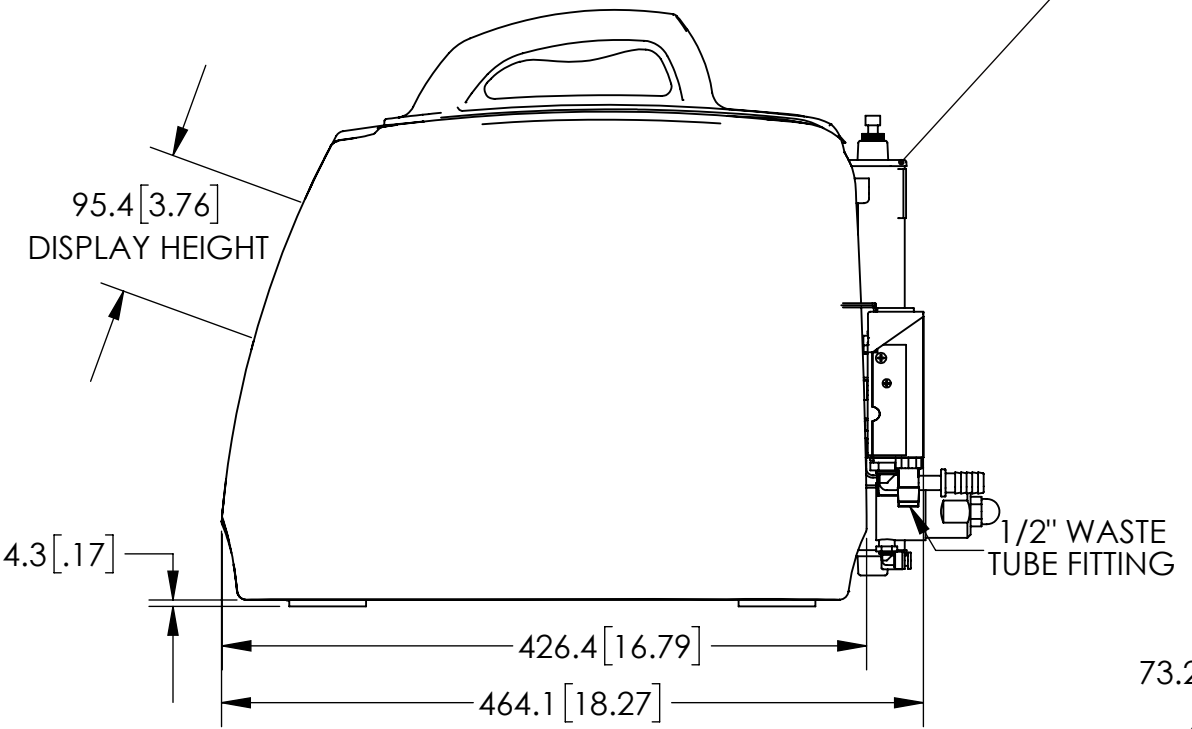
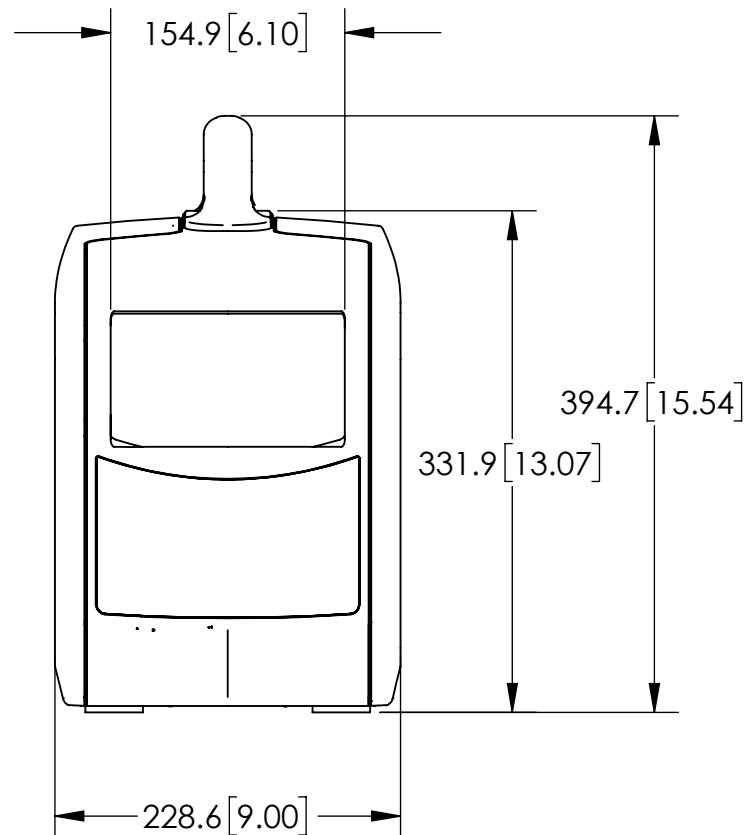
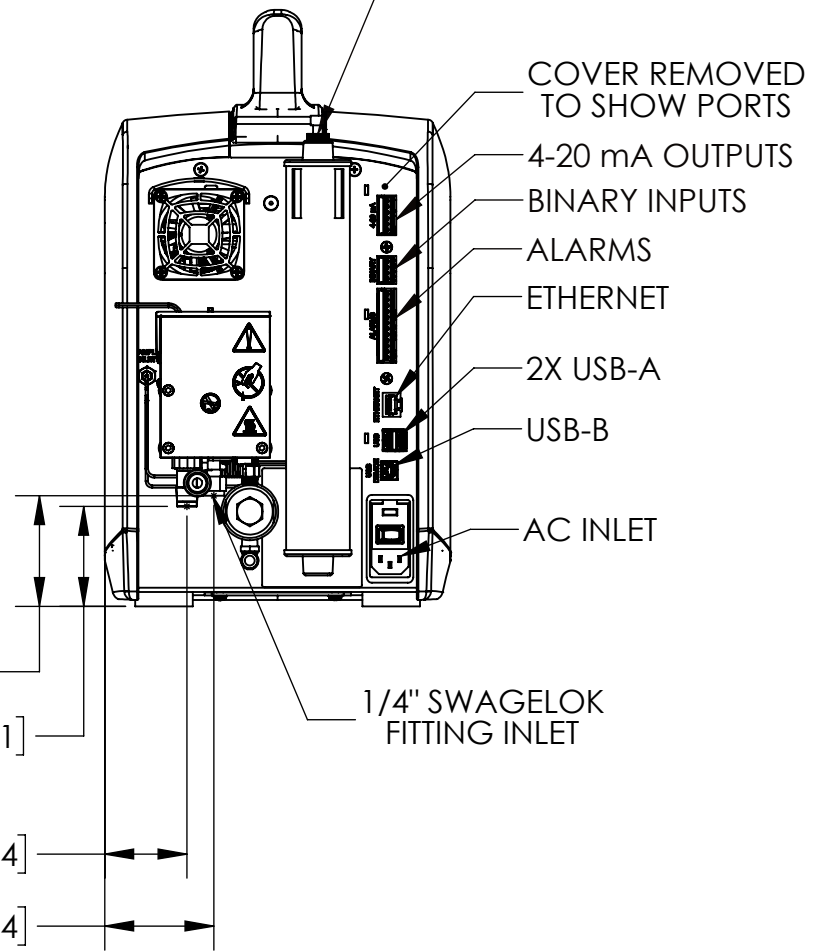


REVISIONS						
ECO	REV	DESCRIPTION	REVD	DATE	CKD	DATE
3888	A	Release	AGS	3/23/15	SF	3/23/15
5098	B	REBRANDING RELEASE	BJS	9/19/2018	DBS	9/28/18



IF INORGANIC CARBON REMOVER (ICR) INSTALLED (M9 & M9e ONLY), CHEMICAL TRAP MOUNTED AS SHOWN, WITH AIR INLET AT THE BOTTOM



NOTES:
1. ALL DIMENSIONS IN MILLIMETERS [INCHES]

<p>CONFIDENTIAL: INFORMATION CONTAINED HEREIN IS THE PROPERTY OF SIEVERS®. IS CONFIDENTIAL, IS NOT TO BE REPRODUCED, AND IS TO BE RETURNED UPON DEMAND.</p>		<p>Sievers® Analytical Instruments</p>	
<p>UNLESS OTHERWISE SPECIFIED DIMENSIONS ARE IN INCHES TOLERANCES ARE: .X ± .1 .XX ± .02 .XXX ± .005 ANGLES ± 1° FINISH 63 RMS</p>		<p>6060 Spine Road Boulder, CO 80301 T(303) 444-2009 F(303) 444-9543</p>	
<p>TITLE: M-SERIES PORTABLE INSTALLATION SPECS</p>			
SCALE: 1:5	DRAWN CH		SHEET: 1 OF 1
SIZE: B	DATE 11/26/2014	PART NUMBER DIN 77720-01	REV B