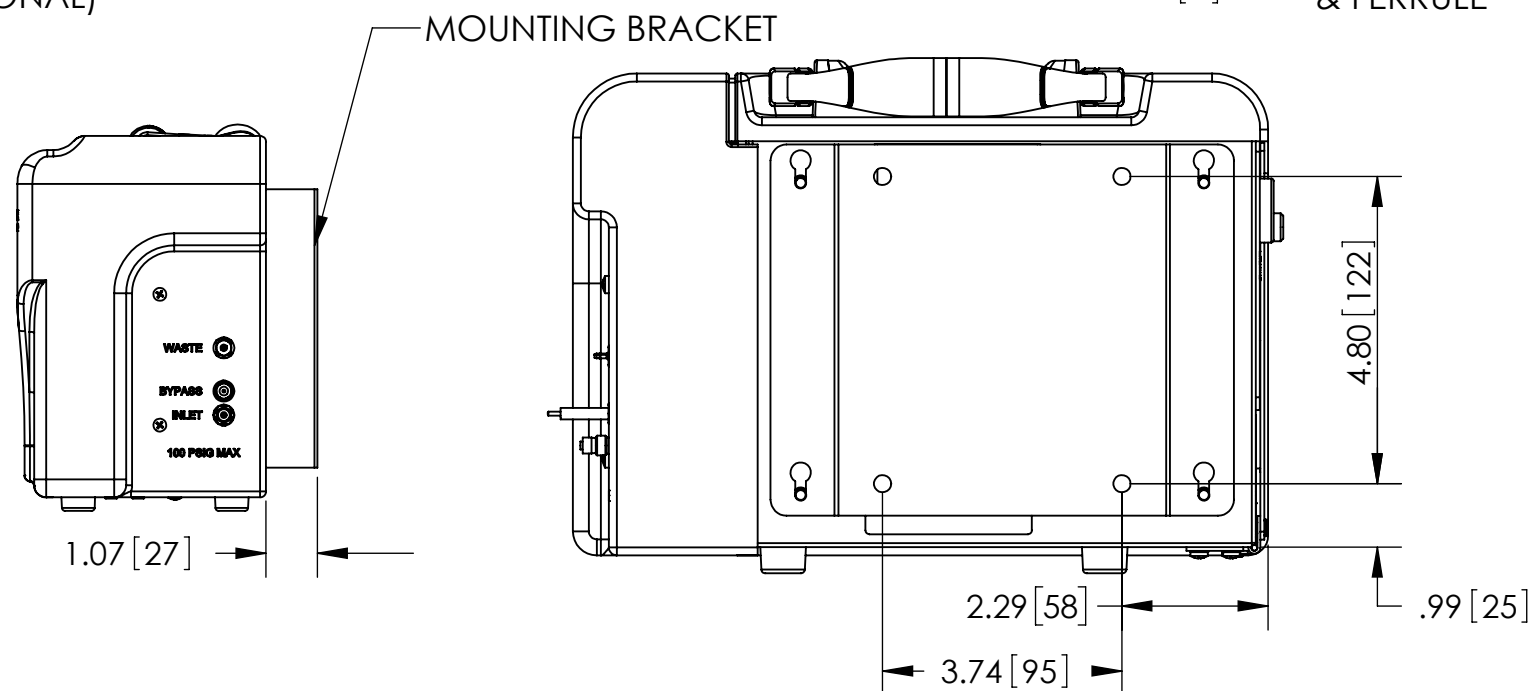
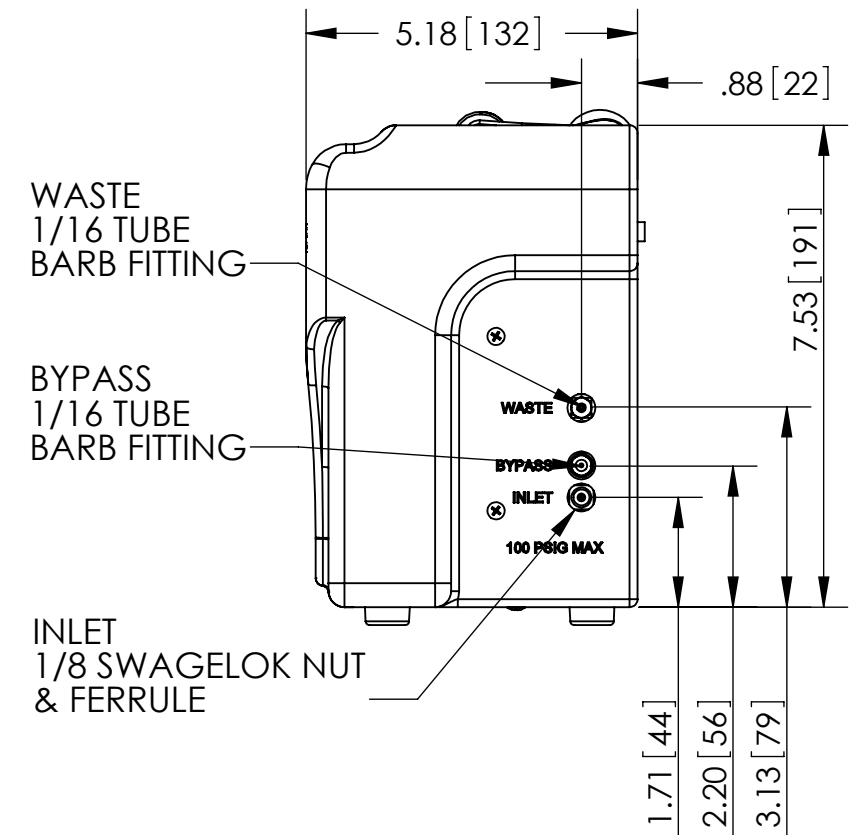
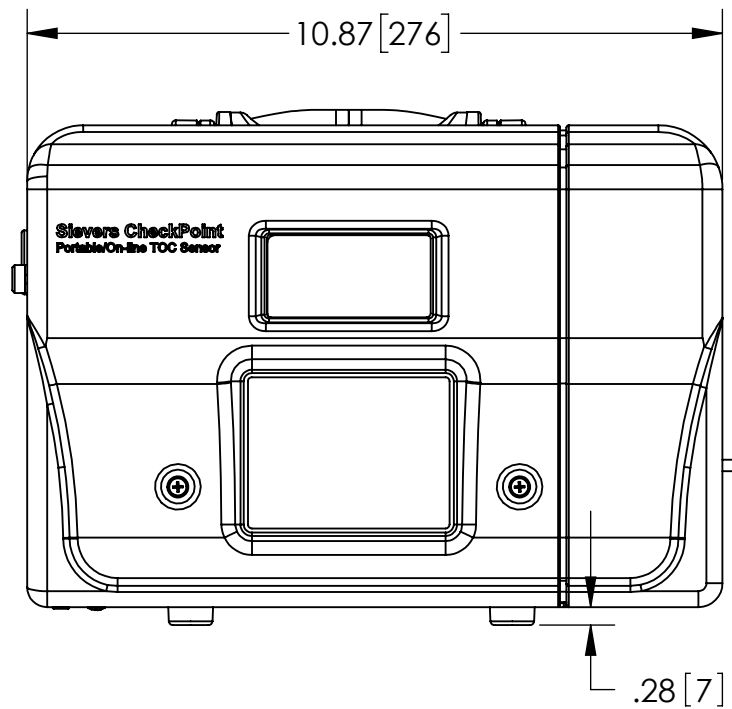
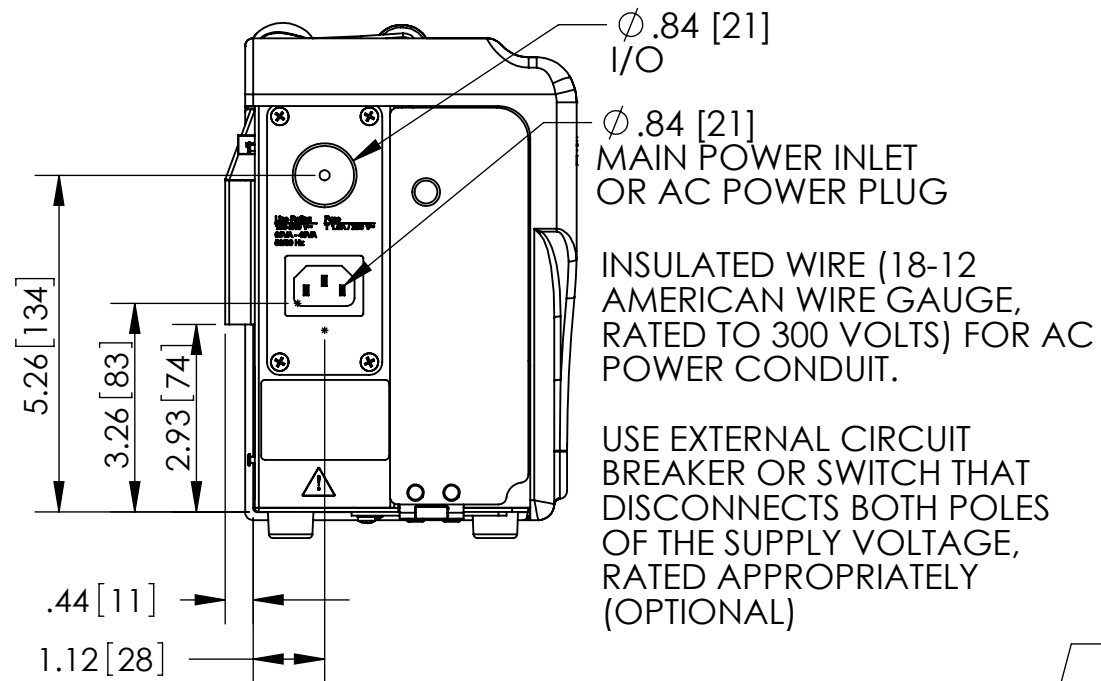


- INSULATED WIRE (22-12 AWG, RATED TO 300VOLTS) FOR ALARMS, ANALOG OUTPUT, AND BINARY INPUT
- MAXIMUM LOAD FOR ALARMS IN 30 VDC AT 1.0 A
- MAXIMUM 4-20 mA LOAD IS 600 OHMS
- ETHERNET COMMUNICATION VIA MODBUS PROTOCOL

REVISIONS						
ECO	REV	DESCRIPTION	REVD	DATE	CKD	DATE
1973	A	INITIAL RELEASE	RDV	10/14/08	KA	10/14/08
5098	B	REBRANDING RELEASE	BJS	9/24/2018	DBS	9/24/18



MOUNTING INSTRUCTIONS	
OVERALL MOUNTING SITE DIMENSIONS	
HEIGHT 10.0 [254]	
WIDTH 12.0 [305]	
DEPTH 6.0 [152]	
MINIMUM OPERATING CLEARANCES	
BACK 1.2 [30]	FRONT 12.0 [305]
TOP 12.0 [305]	BOTTOM 2.0 [50.8]
SIDES 12.0 [305 EACH SIDE]	

INSTALL MOUNTING BOLTS CAPABLE OF SUPPORTING 12.00 KG (26.50 LBS).

DO NOT MOUNT IN DIRECT SUNLIGHT OR TEMPERATURES GREATER THAN 40°C OR BELOW 10°C.

**CONFIDENTIAL:**  
 INFORMATION CONTAINED HEREIN IS THE PROPERTY OF SIEVERS®. IS CONFIDENTIAL. IS NOT TO BE REPRODUCED, AND IS TO BE RETURNED UPON DEMAND.

**Sievers® Analytical Instruments**  
 6060 Spine Road Boulder, CO 80301 T(303) 444-2009 F(303) 444-9543

TITLE: **CHECKPOINT, ENHANCED I/O**

SCALE: 1:4

SIZE: B

DRAWN: RDV

DATE: 10/14/08

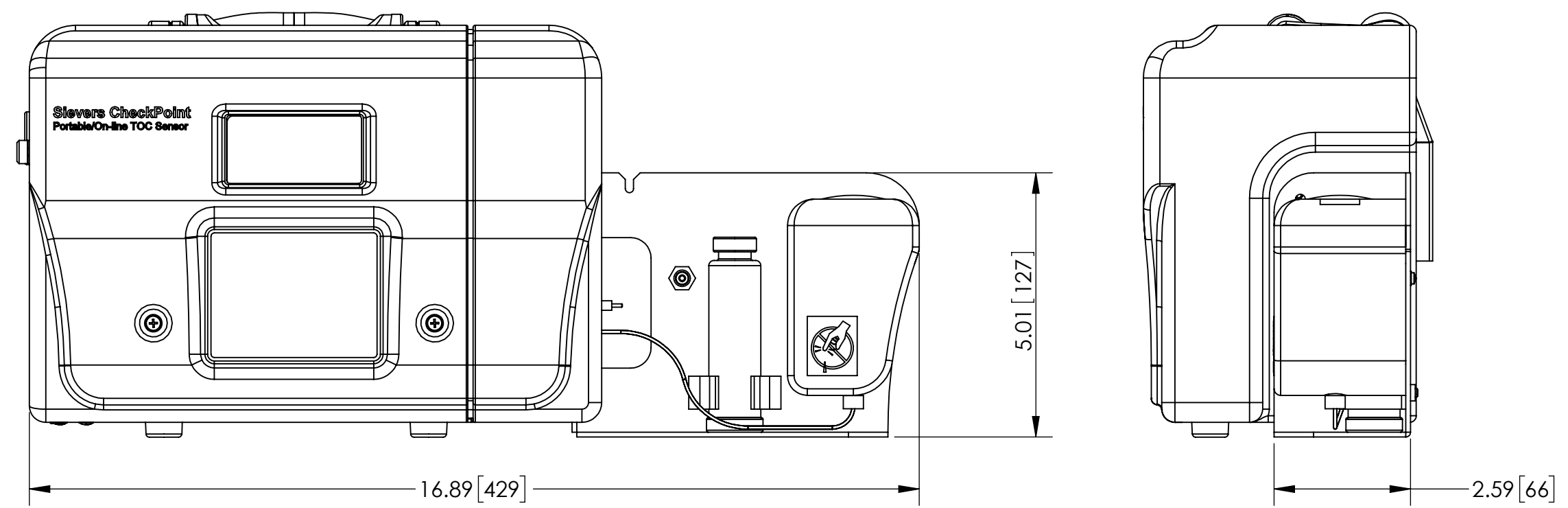
PART NUMBER: **DIN 97000-01**

REVISION: **B**

SHEET: 1 OF 2

GD&T PER ANSI/ASME Y14.5M-1994  
 DO NOT SCALE DRAWING

CHECKPOINT WITH VIAL SAMPLING KIT



Sievers®  
Analytical Instruments

SCALE:	SHEET:	PART NUMBER	REV
1:2.5	2 OF 2	DIN 97000-01	B